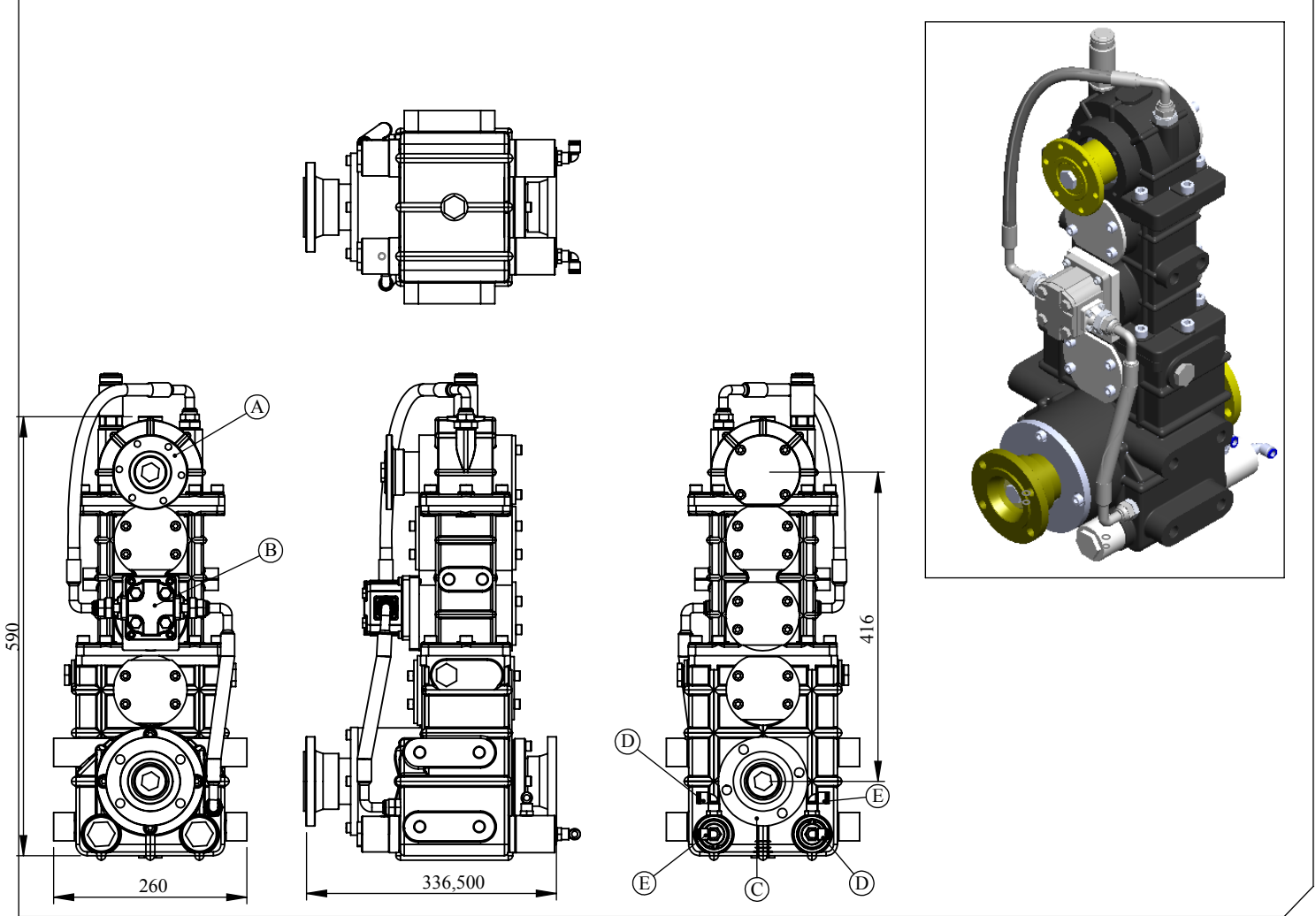


Vehicle Type	For Fire Fighting, Road Service Vehicles
Gearbox Type	Vertical Light Duty Split Shaft Power Take-Off with Pump&Roll

Product Code
UARA.401

Products Views



Component Details

A : PTO Output (ISO 7646/7647, DIN, SAE etc. Types)
 B : Group 2 Pump Output
 C : Main Input/Output (ISO 7646/7647/8667, DIN, SAE (ISZ, MTS, HYD) etc. Types

D : Air Inlet R1/4" (Engage)
 E : Air Inlet R1/4" (Disengage)

Technical Details

Max. Power	Max. Torque		Internal Ratio	Mounting Type	Control Type
	kW	Nm			
85 kW	4217	430	1/1.5 1/1.8	Split Shaft	Pneumatic or Mechanic
				Weight	Sense of Rotation
				85 kg	Same as Input